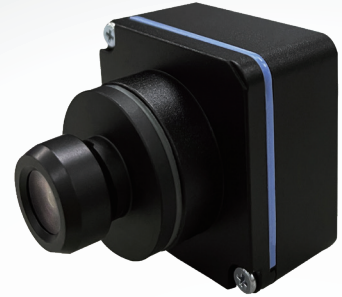


oToBrite



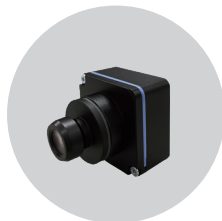
Automotive Camera



oToCAM222-M Series (ISX021)

Overview

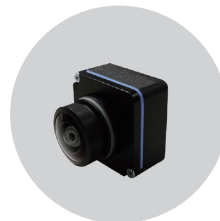
The oToCAM222-H61M/ oToCAM222-C120M/ oToCAM222-S195M is an automotive-grade camera designed for applications in autonomous driving. It uses a high-sensitivity CMOS sensor to deliver excellent image quality, meeting the visual detection requirements of the system product.



oToCAM222-H61M



oToCAM222-C120M



oToCAM222-S195M

Specifications

• General Specifications

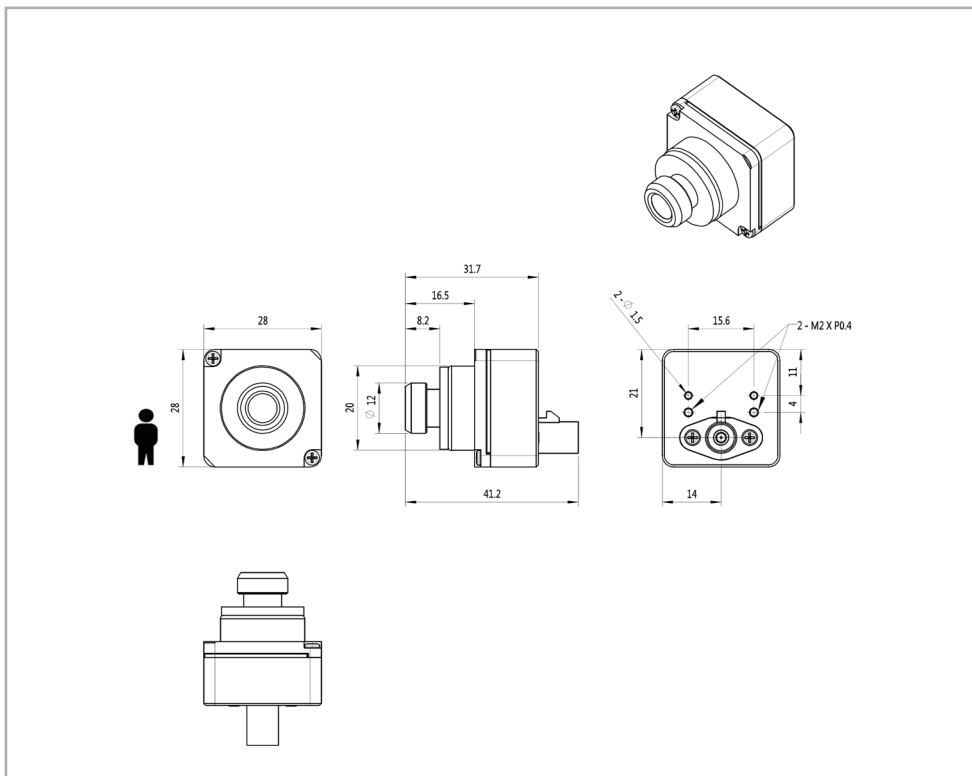
Item	Specifications
Image sensor	CMOS (Sony ISX021)
HDR	Supported
LFM	Supported
Optical format	1/2.57"
Pixel size	3.0 μm (H) \times 3.0 μm (V)
ISP	Supported (SoC Sensor)
Camera output pixel number	2.46M (1920 (H) \times 1280 (V))
Color filter array	RGGB
Output interface	GMSSL2 with POC
Output formats	MIPI 4lane YUV422 8bits
S/N ratio	51.35 dB
Power source (POC)/ Typical	DC 6 ~ 12V/6V
Startup time of power in	Within 200ms
Frame rate	30 fps (By setting)
Serializer	MAX9295
Camera current consumption	\leq 120mA @12V
Connector	Goldenconn Electronic Technology Co., Ltd. 1FABN24F01PNTV00
Operating temperature	-40°C ~ +85°C
Storage temperature	-40°C ~ +95°C
Dust/ Waterproof	IP67 /IP69K

• Product Specifications (by models)

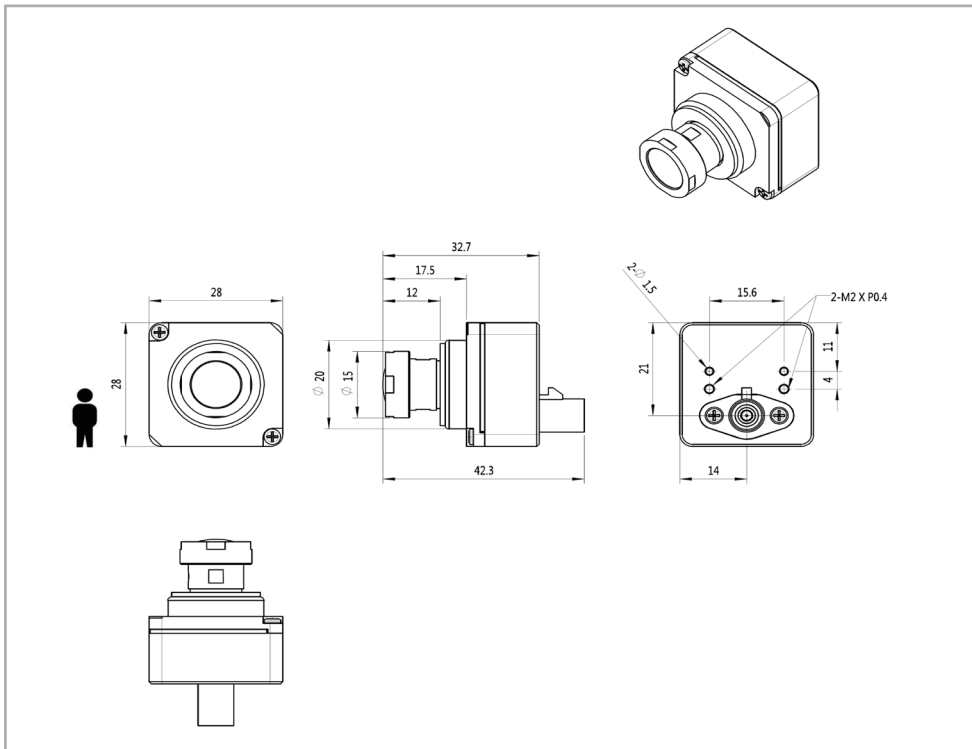
Item	oToCAM222-H61M	oToCAM222-C120M	oToCAM222-S195M
View angle (H)	64°	120.6°	195.9°
Lens F No.	F1.6	F1.4	F2.0
IR cut edge	650nm	650nm	650nm
DOF/ Object distance	3.0M~inf.@Inf.	1.0M~inf.@inf	0.15M~inf.@50cm
Resolution	TBD	TBD	TBD
Dimensions	28*28*31.7 mm (exclude FAKRA connector)	28*28*32.7 mm (exclude FAKRA connector)	28*28*28.6 mm (exclude FAKRA connector)
Weight	28.8g	27.6g	29.18g

Outline Drawing

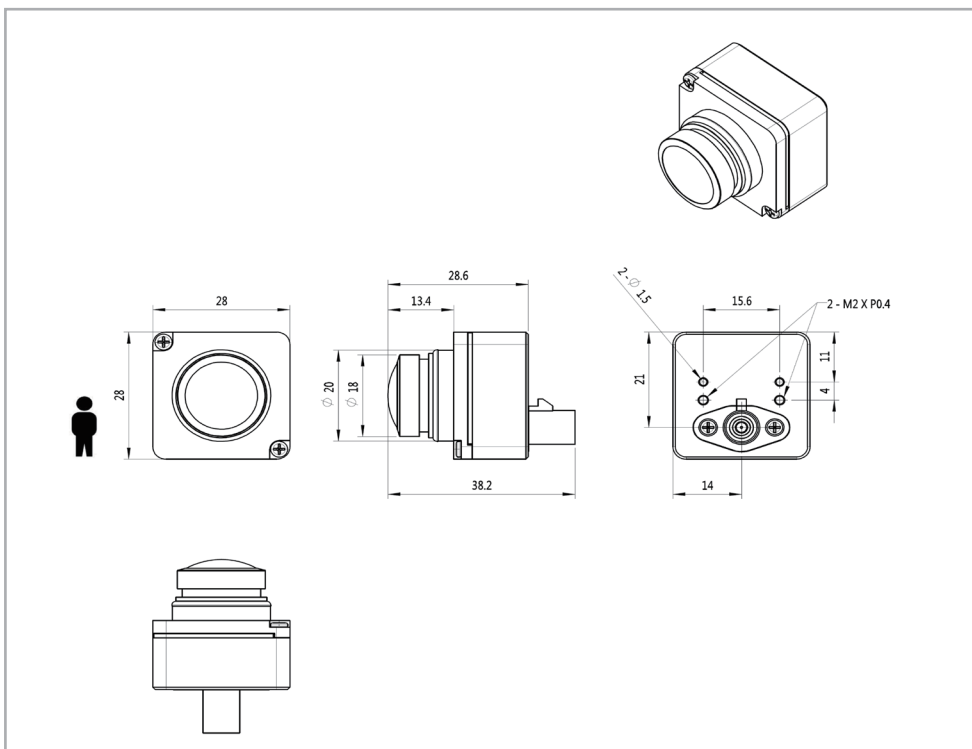
• oToCAM222-H61M Mechanical Dimensions



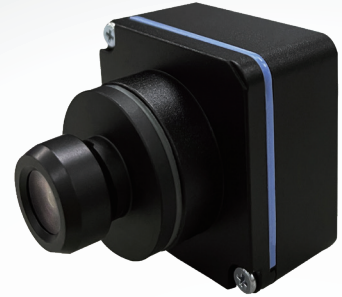
• oToCAM222-C120M Mechanical Dimensions



• oToCAM222-S195M Mechanical Dimensions



oToBrite



Automotive Camera



oToCAM223-M Series (ISX031)

Overview

The oToCAM223-H61M/ oToCAM223-C120M/ oToCAM223-S195M, offers reliable automotive-grade cameras designed for autonomous driving applications. These cameras use high-sensitivity CMOS sensors to provide solid image quality, effectively meeting the visual detection needs of system products.



oToCAM223-H61M



oToCAM223-C120M



oToCAM223-S195M

Specifications

• General Specifications

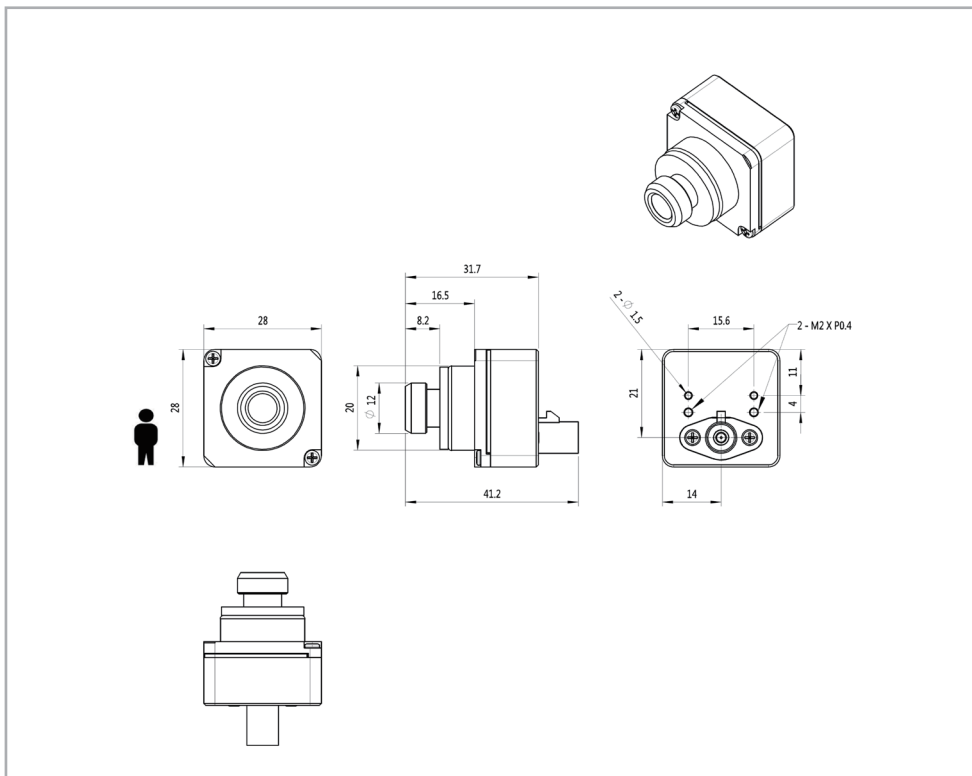
Item	Specifications
Image sensor	CMOS (Sony ISX031)
HDR	Supported
LFM	Supported
Optical format	1/2.42"
Pixel size	3.0 μm (H) \times 3.0 μm (V)
ISP	Supported (SoC sensor)
Camera output pixel number	2.95M (1920 (H) \times 1536 (V))
Color filter array	RGGGB
Output interface	GMSL2 with POC
Output formats	MIPI 4lane YUV422 8bits
S/N ratio	51.35dB
Power source (POC)/ Typical	DC 6 ~ 12V/6V
Startup time of power in	Within 200ms
Frame rate	30 fps (By setting)
Serializer	MAX9295
Camera current consumption	\leq 120mA @12V
Connector	Amphenol SMB1251Y3-002-TT5GP-50
Operating temperature	-40°C ~ +85°C
Storage temperature	-40°C ~ +95°C
Dust/ Waterproof	IP67/ IP69K

● Product Specifications (by models)

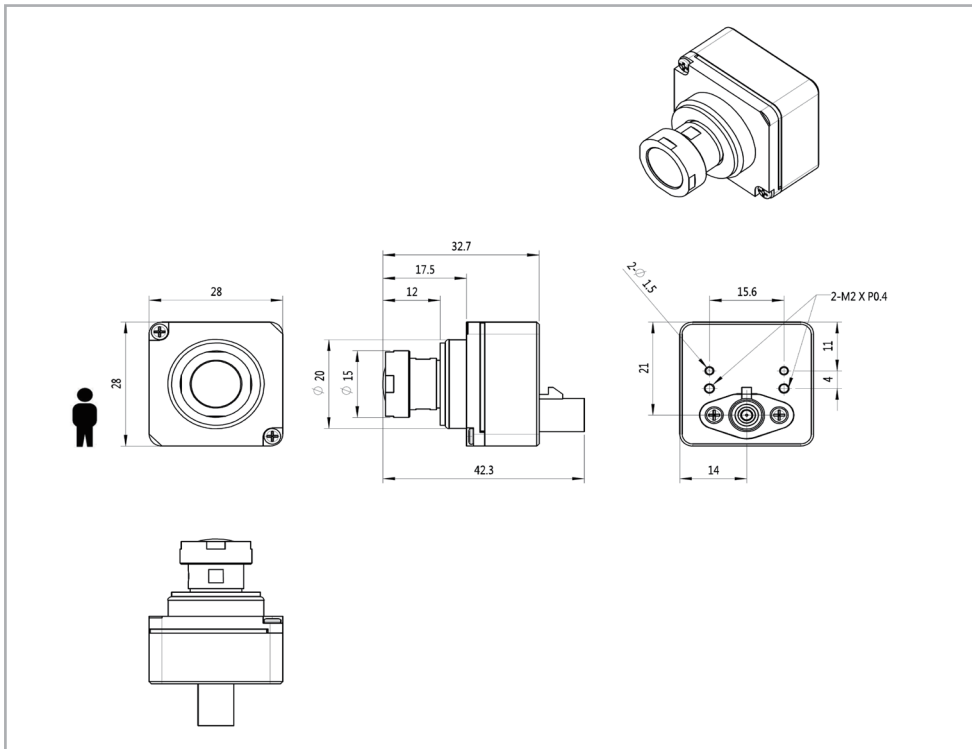
Item	oToCAM223-H61M	oToCAM223-C120M	oToCAM223-S195M
View angle (H)	63.9°	120.6°	195.9°
Lens F No.	F1.6	F1.4	F2.0
IR cut edge	650nm	650nm	650nm
DOF/ Object distance	3.0M~inf.@Inf.	1.0M~inf.@inf	0.14M~inf.@50cm
Resolution	TV line Center \geq 850, Corner \geq 700	TV line Center \geq 1000, Corner \geq 900	TV line Center \geq 950, Corner \geq 850
Dimensions	28*28*31.7 mm (exclude FAKRA connector)	28*28*32.7 mm (exclude FAKRA connector)	28*28*28.6 mm (exclude FAKRA connector)
Weight	28.8g	27.6g	29.2g

Outline Drawing

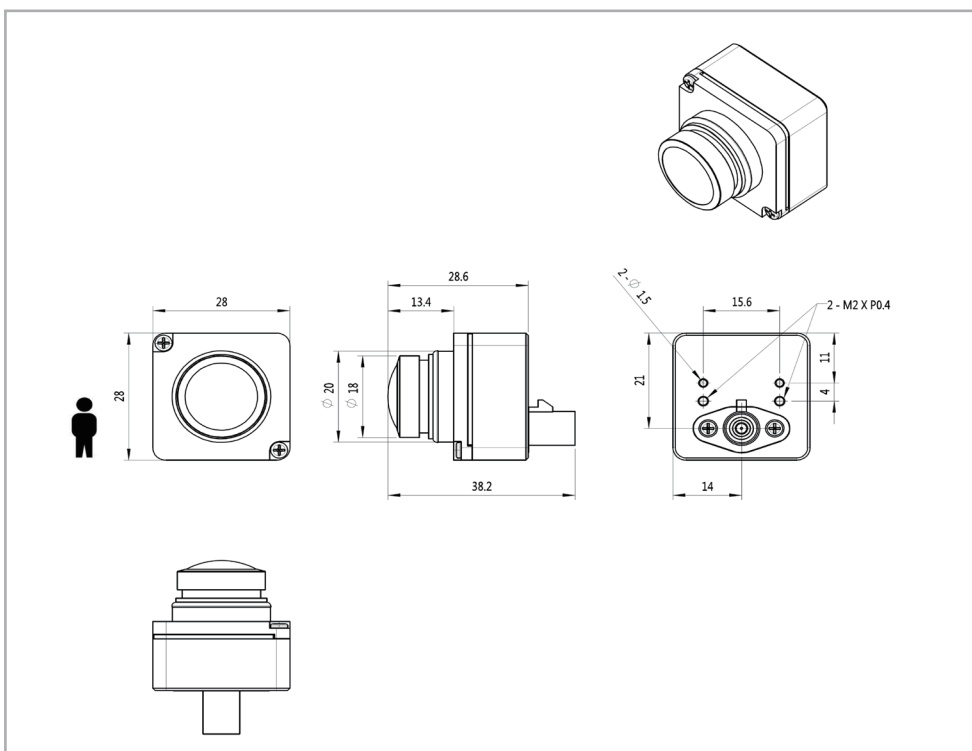
● oToCAM223-H61M Mechanical Dimensions



• oToCAMoToCAM223-C120M Mechanical Dimensions



• oToCAMoToCAM223-S195M Mechanical Dimensions



driving easier and safer



JMD 株式会社ジェイ・エム・ディー
<https://www.j-m-d.co.jp/>

本社：〒113-0034 東京都文京区湯島1-9-3 ユーメリアビル2F
TEL：03-6256-8955 FAX：03-6256-8958

西日本営業部：〒651-0086 兵庫県神戸市中央区磯上通4-3-10 IPSX EAST 7F
TEL：078-261-3010 FAX：078-261-3810